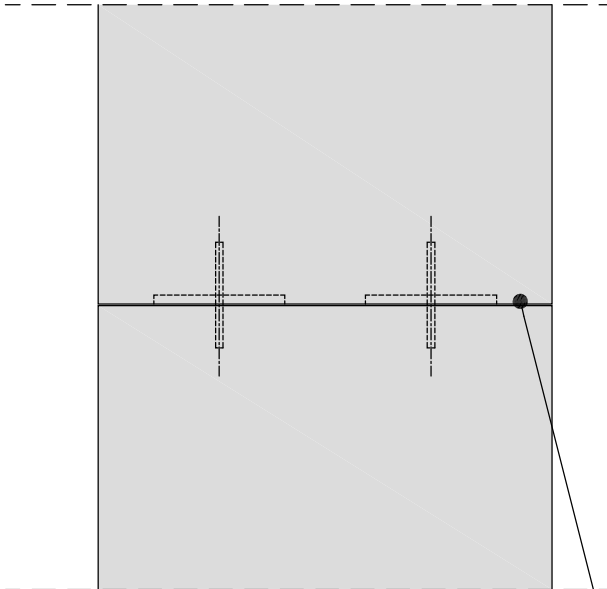
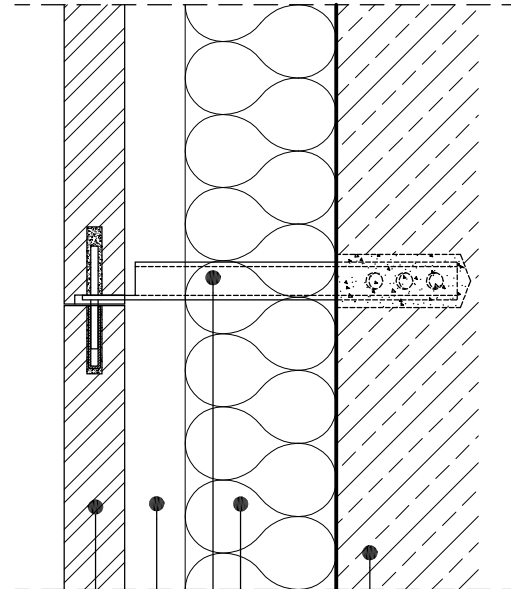


Detail of a ventilated natural stone façade

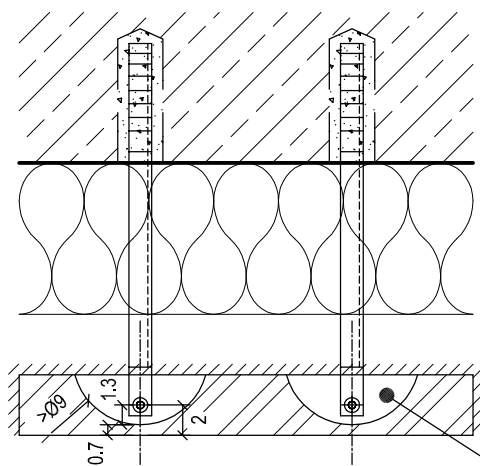
Sectional view of a pillar



Vertical section



Horizontal section



- Shell
- Mineral wool - insulation
- Stainless steel - slide-mortar anchor
- Ventilation 4 cm
- Natural stone - façade slab
- Press joint
- Anchor pocket

Measurements in "cm"

HOFMANN
NATURSTEIN

97956 Werbach - Gamburg, Germany
Anton - Hofmann - Allee 2
Tel. +49 (0) 9348 / 81-0
info@hofmann-naturstein.com
www.hofmann-naturstein.com

Standard detail

Façade anchoring with stainless steel - slide-mortar anchors as press joint

System:

HOFMANN stainless steel - slide-mortar anchor

Sheet no.:

HN-01-002

sign.:

Th. Buscher

Index:

-

Date:

28.03.2017

Scale:

1 : 5