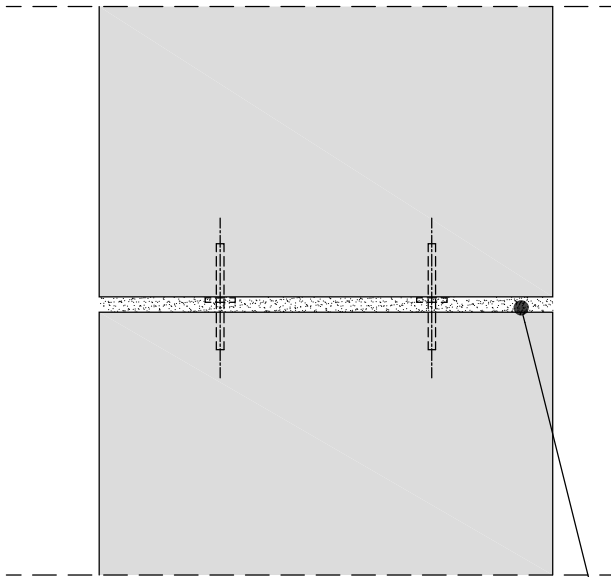
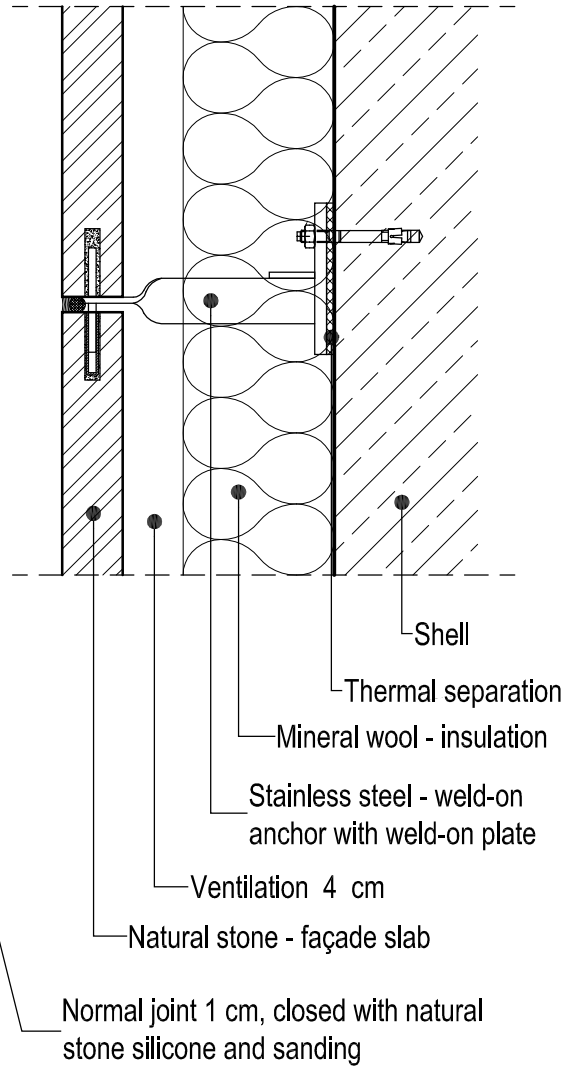


Detail of a ventilated natural stone façade

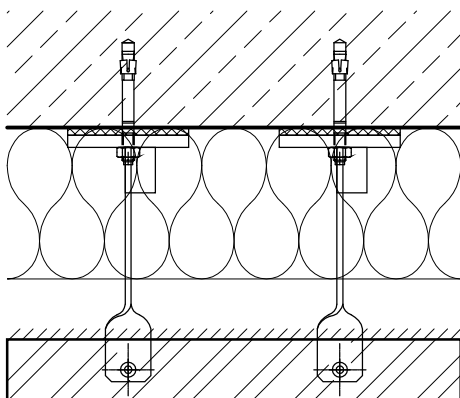
Sectional view of a pillar



Vertical section



Horizontal section



Measurements in "cm"

HOFMANN
NATURSTEIN

97956 Werbach - Gamburg, Germany
Anton - Hofmann - Allee 2
Tel. +49 (0) 9348 / 81-0
info@hofmann-naturstein.com
www.hofmann-naturstein.com

Standard detail

Façade anchoring with stainless steel - weld-on anchors,
normal joint 1 cm, grouted + sanded

System:

HOFMANN stainless steel - weld-on anchor

Sheet no.:

HN-02-001

sign.:

Th. Buscher

index:

-

Date:

28.03.2017

Scale:

1 : 5