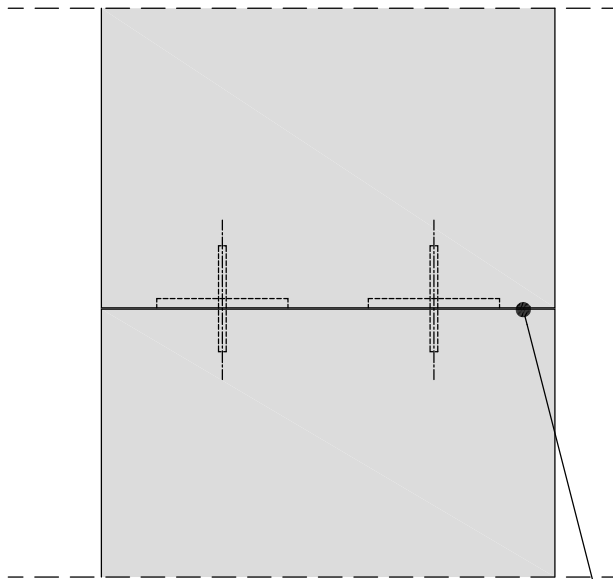
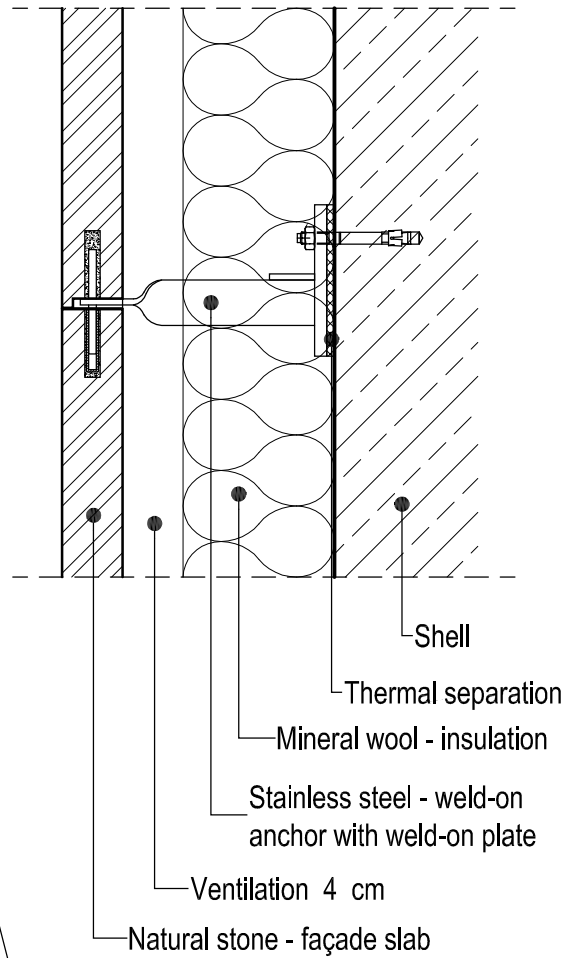


Detail of a ventilated natural stone façade

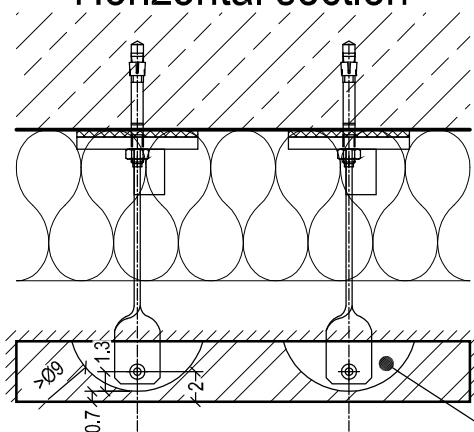
Sectional view of a pillar



Vertical section



Horizontal section



Press joint

Anchor pocket

Measurements in "cm"



97956 Werbach - Gamburg, Germany
 Anton - Hofmann - Allee 2
 Tel. +49 (0) 9348 / 81-0
 info@hofmann-naturstein.com
 www.hofmann-naturstein.com

Standard detail

Façade anchoring with stainless steel - weld-on anchors,
 press joint

System:

HOFMANN stainless steel - weld-on anchor

Sheet no.:

HN-02-002

sign.:

Th. Buscher

Index:

-

Date:

28.03.2017

Scale:

1 : 5