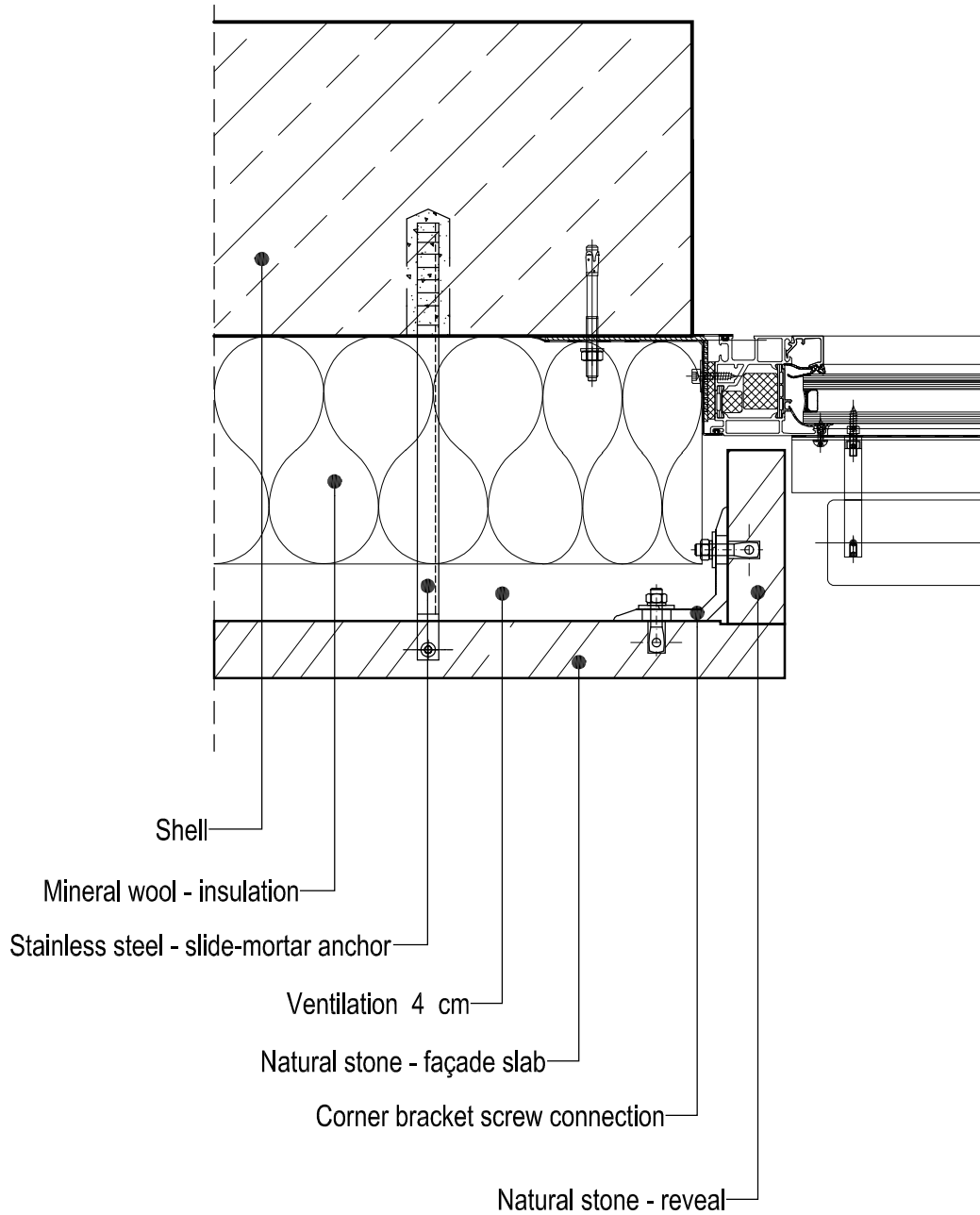


Detail of a ventilated natural stone façade

Horizontal section



Measurements in "cm"

HOFMANN
NATURSTEIN

97956 Werbach - Gamburg, Germany
Anton - Hofmann - Allee 2
Tel. +49 (0) 9348 / 81-0
info@hofmann-naturstein.com
www.hofmann-naturstein.com

Standard detail
Façade slab with reveal, stainless steel - slide-mortar anchors, Aluminium - corner bracket with shear dowel connection

System: HOFMANN stainless steel - slide-mortar anchor

Sheet no.: HN-03-001	
sign.: Th. Buscher	Index: -
Date: 23.07.2018	Scale: 1 : 5